

Outdoor IR Network High Speed Dome Camera

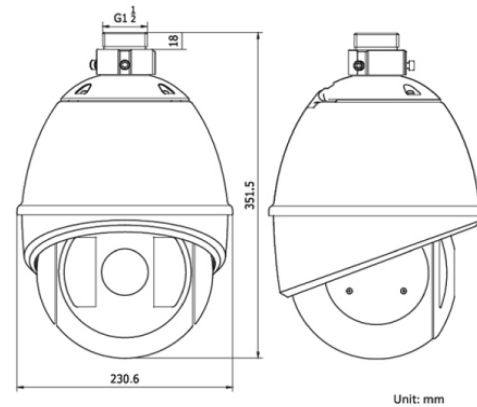
ProSeries

Your Security
Our Solution



1.3 MP Micro Dome Camera

- 1/4" Super HAD CCD Sensor
- True day / night
- Up to 80m IR range
- 3D intelligent positioning function
- IP66 rating
- 36x optical zoom



Specifications

Specifications		Network Communication	
Camera		Network Communication	
Models	BKP-F12D-817	Protocols:	TCP/IP (v4 and V6), HTTP, DHCP, DNS/ RTP/RTCP, RTSP, PPPoE, SMTP, NTP
Image Sensor	1/4" Super HAD CCD	RS-485 Protocols:	Pelco-P, Pelco-D
Minimum Illumination	Color: 0.2Lux (f1.6) B/W: 0.02 Lux (f1.6), 0 Lux with IR	Day & Night Mode:	7.6 Watts IR Cut Filter
Lens:	Focal Length: 3.4mm (W) - 122.4mm(T), 36x Field of View (H): 58° - 2° Aperture: f1.6 - f4.5	Audio	
Video		Audio Streaming:	1-way Audio Support
Compression Streaming:	H.264 / MPEG4 / MJPEG Multiple streams supported: Up to 2 simultaneous S/N Ratio: 50.0dB	Audio Compression:	G.711ulaw / G.711alaw
Video Setting:	Exposure / Gain Control: Auto / Manual White Balance: Auto Manual / One Touch WB	Audio Input/ Output:	Line In / Line output
Max Image Resolution		Certification & Standards	
50Hz:	25fps (704 x 576)	Certification:	FCC, CE, IP66 standard, TVS 3000V lighting protection, surge protection and voltage transient protection
60Hz:	30fps (704 x 480)	Standard:	ONVIF, PSIA, CG
Pan, Tilt and Zoom		Events and Alarm Management	
Pan Range:	360°C endless	Events:	Motion Detection, Schedule
Pan Speed:	0.1° ~ 160°/s (in manual mode)	Alarm:	Preset, Patrol, Pattern, SD/SDHC card recording, Relay output
Pan Preset Speed:	240°/s	Interfaces	
Tilt Range:	-10° - 90° (auto-flip)	Connections:	A. RJ45 B. 24V AC Power Connector C. NTSC (or PAL) composite, BNC
Tilt Manual Speed:	0.1° - 120° /s	Power	
Number of Presets:	256	Power Supply:	24V AC/3A
Patrol:	8 patrols, up to 32 presets per patrol	Power Consumption:	Max 50 Watts
Park Action:	Preset / Patrol / Pattern / Pan scan / Tilt scan / Random scan / Frame scan / Panorama scan	Dimensions & Weight	
Zoom Speed:	5.4s (Wide-Tele)	Size:	230.6 x 351.5mm
Focus Mode:	Auto / Semi-automatic/Manual	Weight:	5.5kg / 12.13 lb
Infrared		Environment & Operating Conditions	
IR Illumination:	Through in-built IR LEDs array	Operating Temperature:	-30°C - 65°C (-22°F - 149°F)
IR Illumination distance:	Approx. 80m	Operating Humidity:	10% - 90%
Day & Night Mode:	7.6 Watts IR Cut Filter		